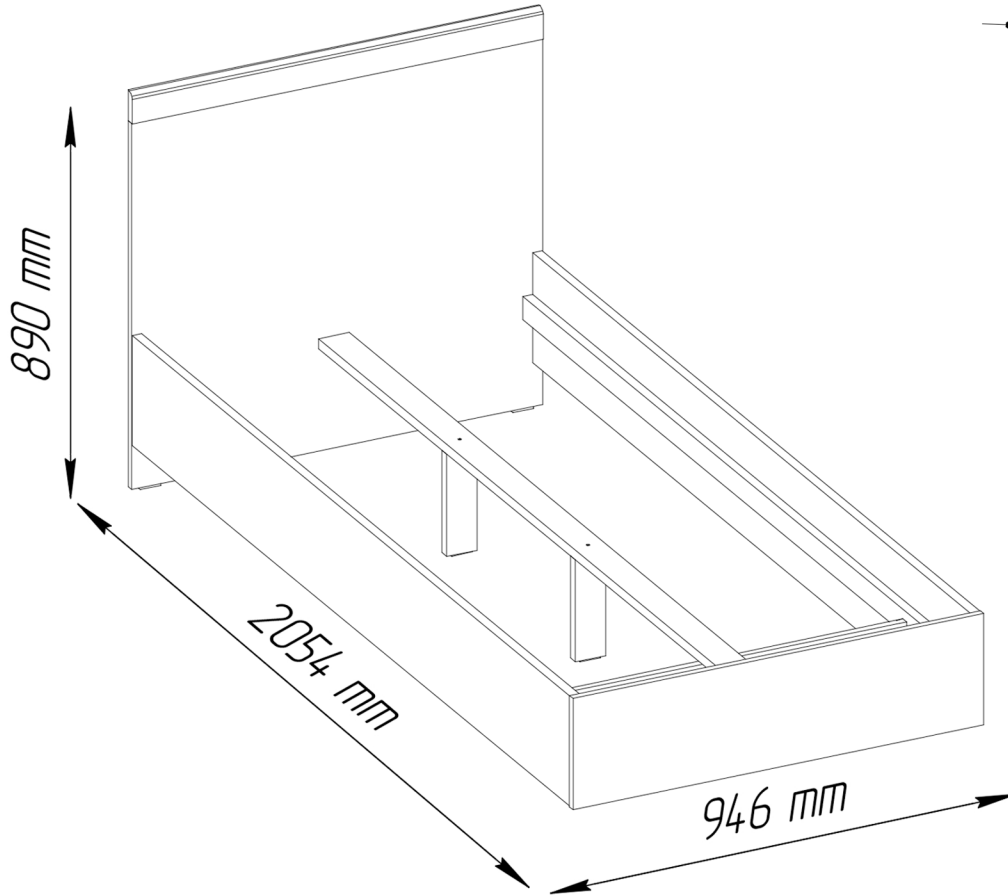
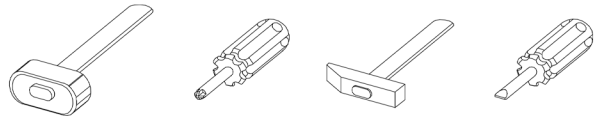
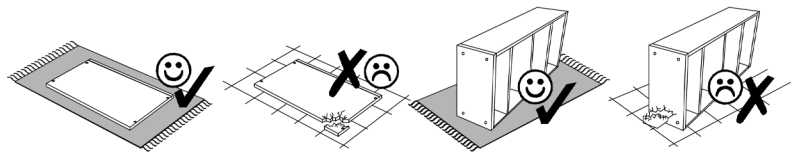
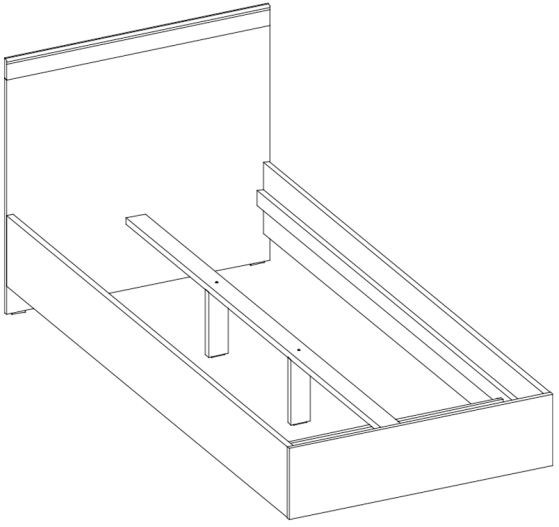
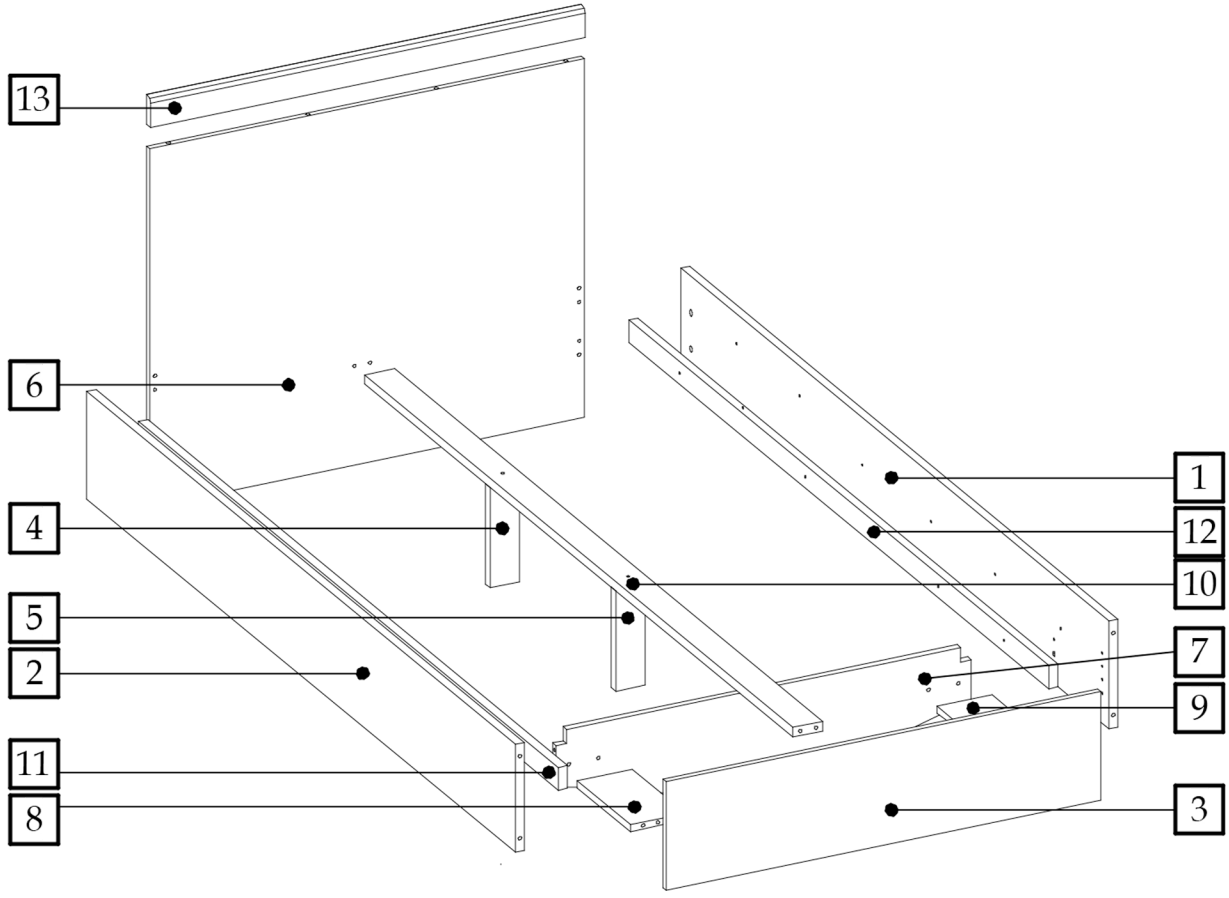


# VILGO 90



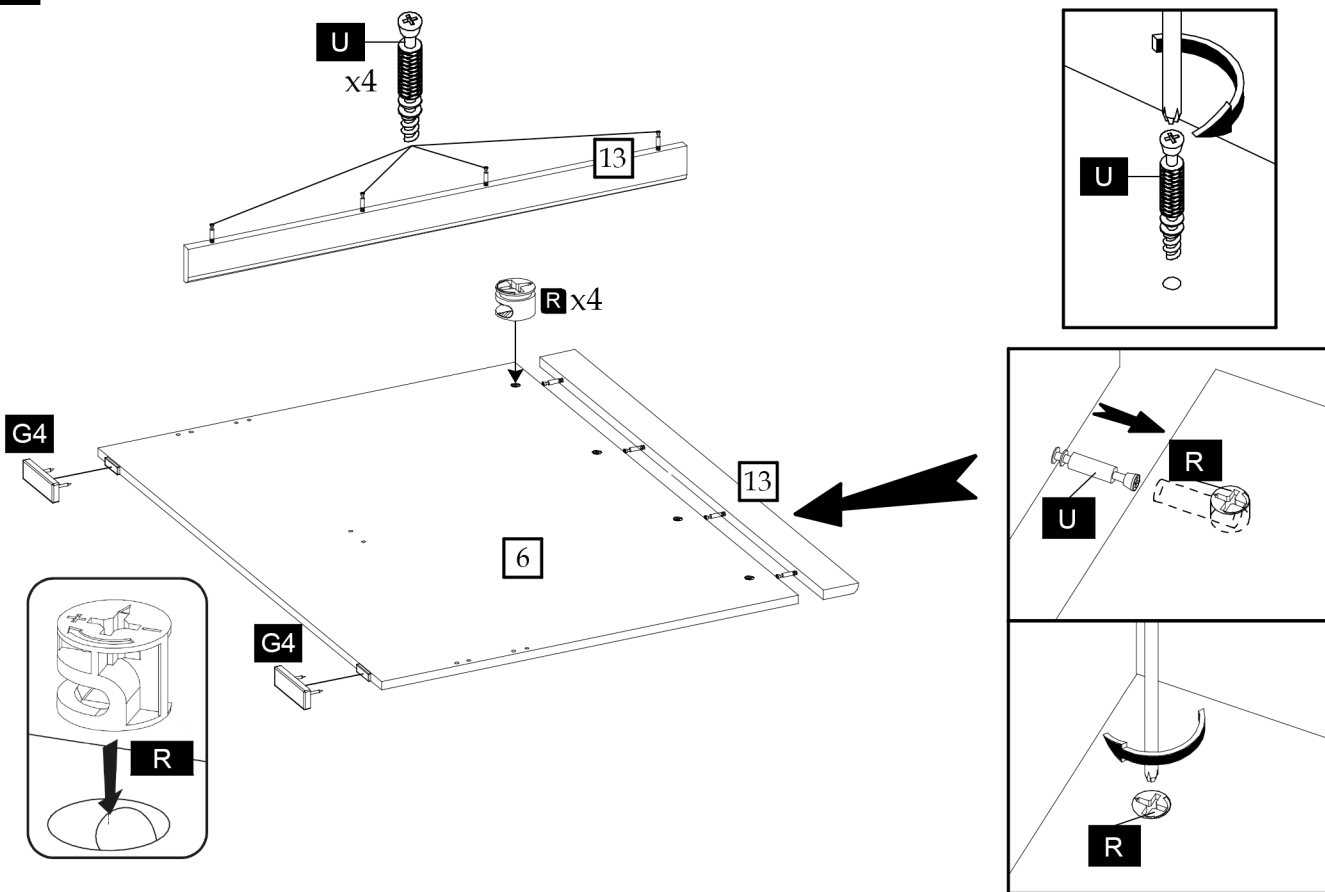



1	2016	250	22	1	1004	1/2
2	2016	250	22	1	1013	1/2
3	947	252	22	1	1014	1/2
4	232	70	22	1	1006	1/2
5	232	70	22	1	1007	1/2
6	946	830	16	1	1003	2/2
7	900	232	16	1	1005_v	1/2
8	250	130	16	1	1008	1/2
9	250	130	16	1	1009	1/2
10	2016	70	22	1	1011	1/2
11	1976	55	22	1	1010	1/2
12	1976	55	22	1	1012	1/2
13	948	56.5	16	1	1040/3001	1/2

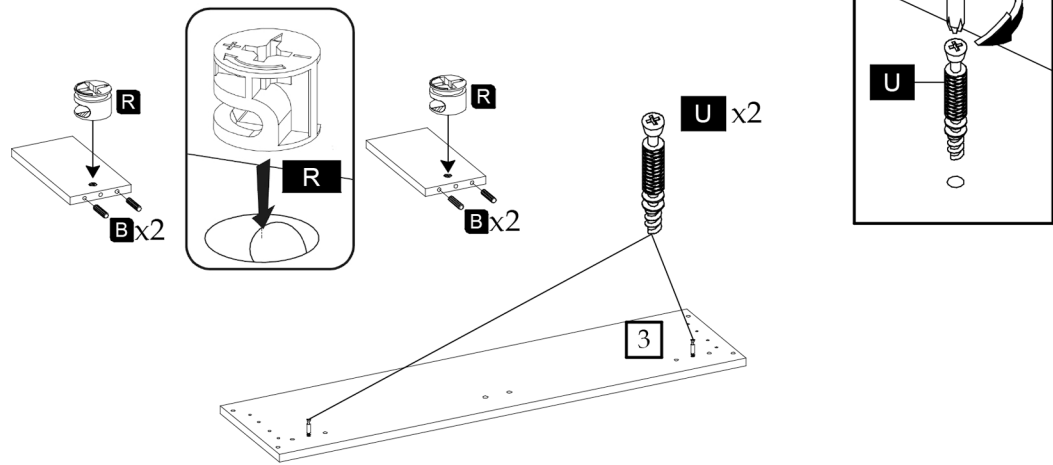




2

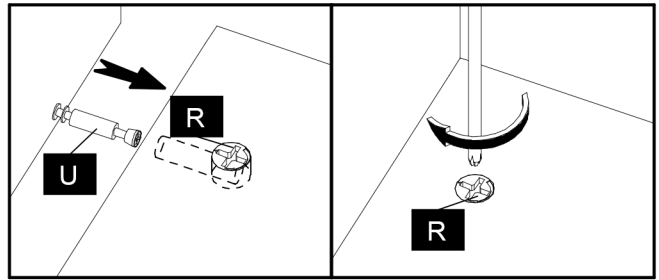
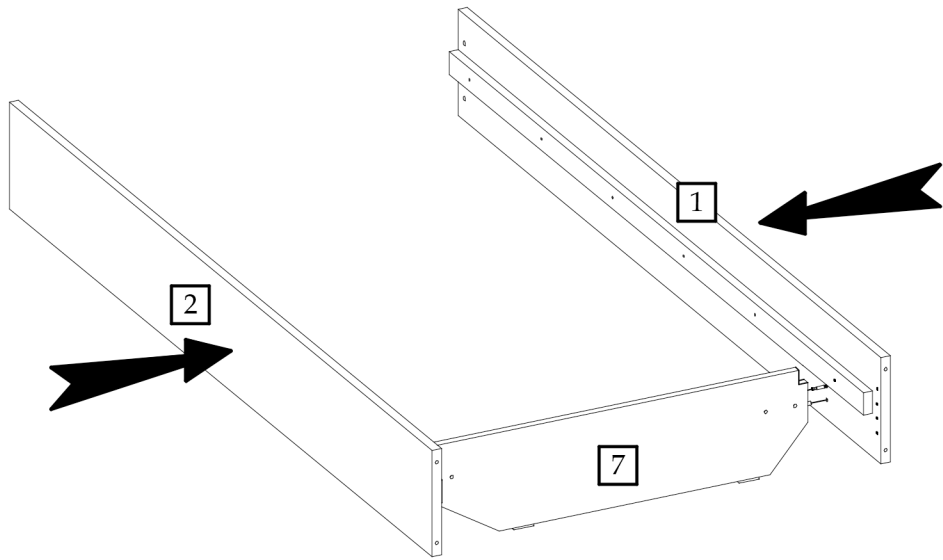


3

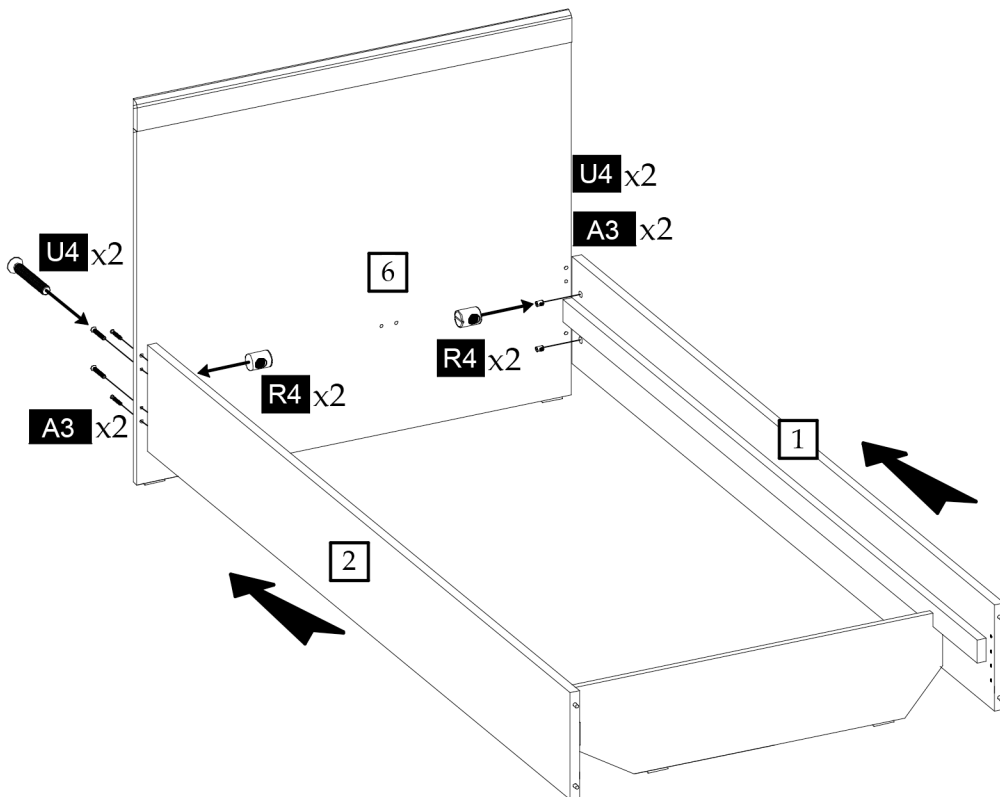


<b>A3</b> x12	<b>B</b> x16 8x30	<b>E</b> x8 3.5x16	<b>EG</b> x12 4x3.5	<b>G2</b> x1
<b>G4</b> x6	<b>R</b> x4	<b>R4</b> x4 M6 10x13	<b>T</b> x16 6.3x13	<b>U</b> x8
<b>U4</b> x4 M6x50	<b>Y1</b> x2	<b>Y3</b> x2 130x35x35	<b>Z2</b> x8	<b>Z3</b> x10

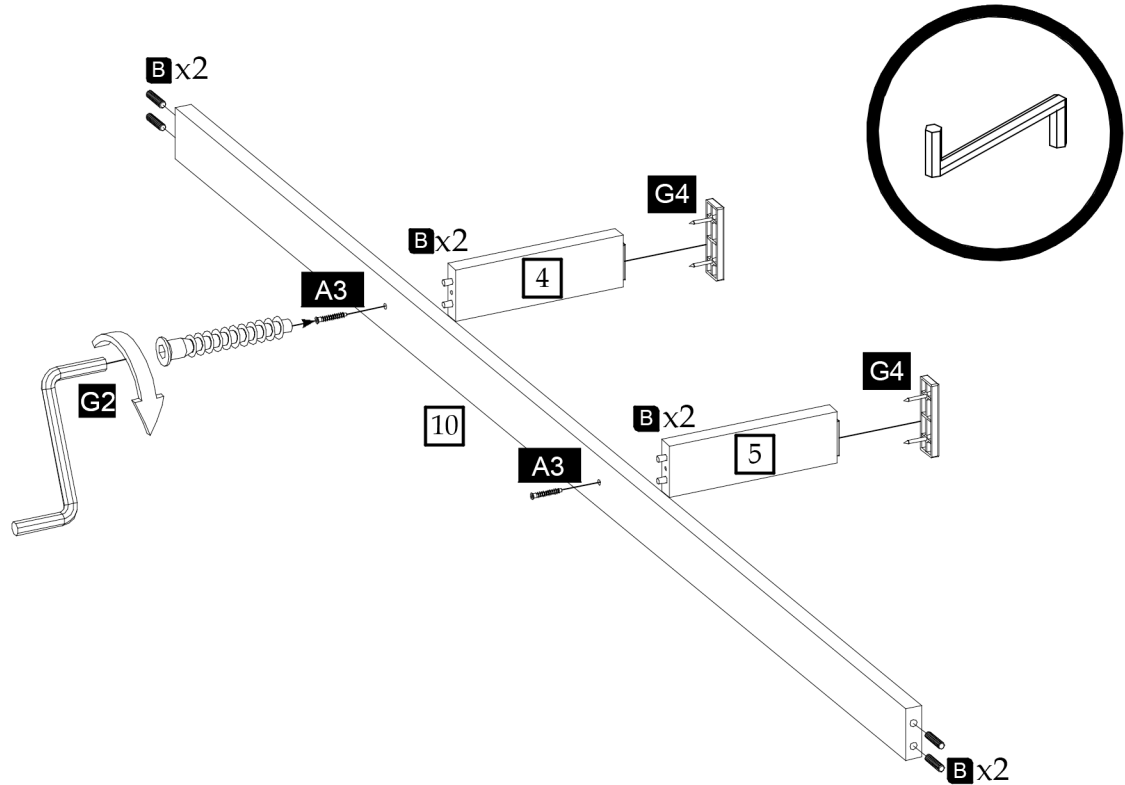
4



5



6



7

